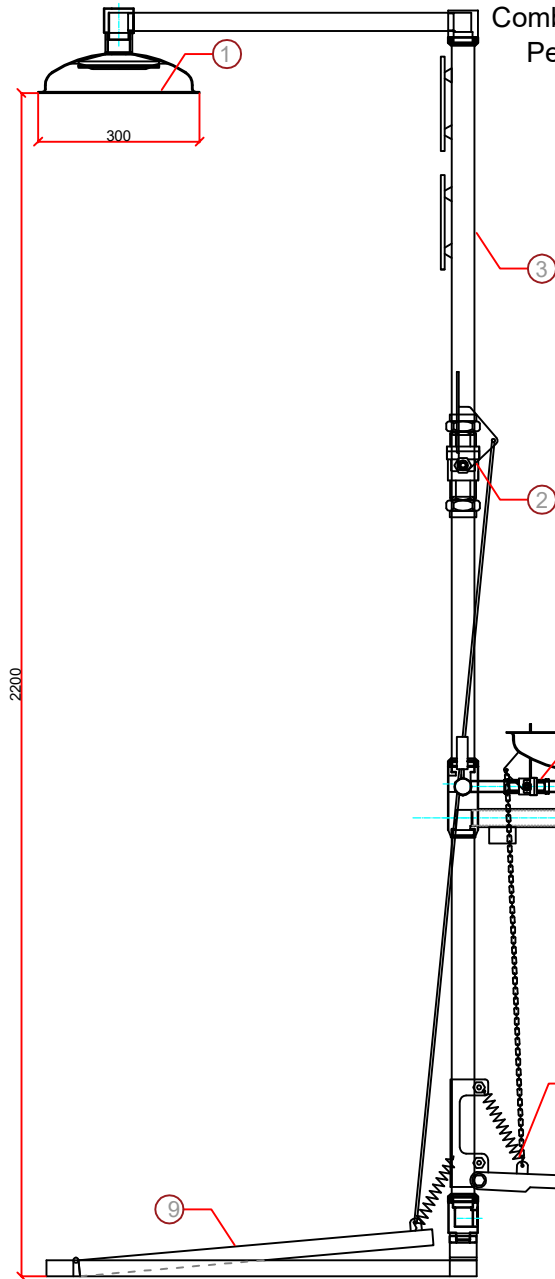


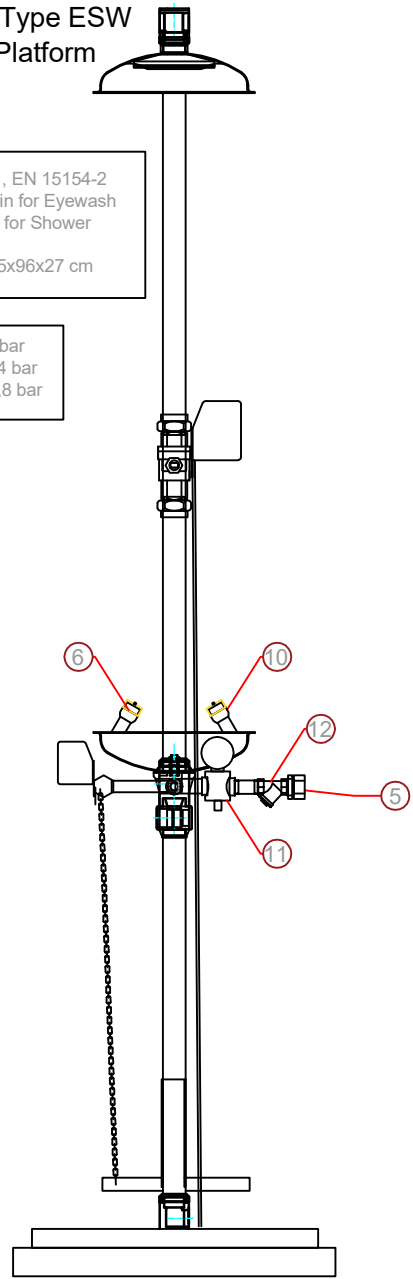
Combined Unit, ISTEС Type ESW
Pedestal Type With Platform



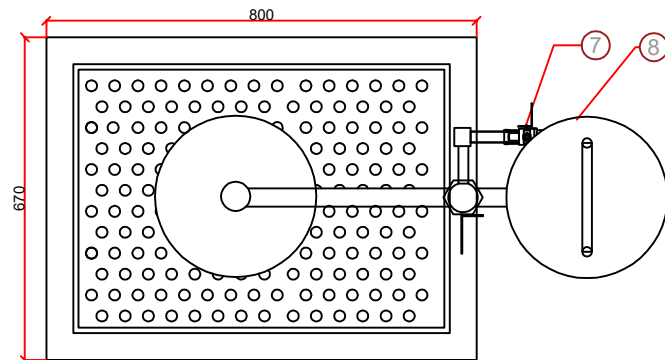
-side view-

Standarts: EN 15154-1, EN 15154-2
Water Flow: 11,5 lt / min for Eyewash
75 lt / min for Shower
Total Weight: 32,5 kgs
Packed Dimensions: 85x96x27 cm

Static test pressure : 7 bar
Min using pressure : 1,4 bar
Max using pressure : 2,8 bar



-front view-



-top view-

NO. DESCRIPTION NOTES

NO.	DESCRIPTION	NOTES
12	Filter	Brass
11	Water Pressure Regulator	Brass
10	Spray Nozzles	Brass
9	Platform control for Shower	304SS
8	Eyewash Bowl	304SS
7	1/2" Ball Valve	304SS
6	Dust Cover on Eyewash Spray	Plastic
5	Water Inlet 1 "	304SS
4	Foot Control for Eyewash	304SS
3	Pipes	304SS
2	1" Ball Valve	304SS
1	Shower head Bowl (Ø300mm)	304SS

	<table border="1"> <tr> <td>REV.</td> <td>DATE</td> <td>DESCRIPTION</td> <td>DESIGNED</td> <td>CHECKED</td> <td>APPROVED</td> </tr> <tr> <td>A</td> <td></td> <td>FIRST ISSUE</td> <td>SS</td> <td>FA</td> <td>ST</td> </tr> </table>	REV.	DATE	DESCRIPTION	DESIGNED	CHECKED	APPROVED	A		FIRST ISSUE	SS	FA	ST	CUSTOMER PRODUCT 15038000																	
	REV.	DATE	DESCRIPTION	DESIGNED	CHECKED	APPROVED																									
A		FIRST ISSUE	SS	FA	ST																										
<table border="1"> <tr> <td>STATUS</td> <td>FOR INFORMATION</td> <td>FOR REVIEW</td> <td>FOR APPROVAL</td> <td>FOR RFO/DESIGN</td> </tr> <tr> <td></td> <td><input type="checkbox"/></td> <td><input type="checkbox"/></td> <td><input type="checkbox"/></td> <td><input checked="" type="checkbox"/></td> </tr> </table>	STATUS	FOR INFORMATION	FOR REVIEW	FOR APPROVAL	FOR RFO/DESIGN		<input type="checkbox"/>	<input type="checkbox"/>	<input type="checkbox"/>	<input checked="" type="checkbox"/>	<table border="1"> <tr> <td>DESIGNED</td> <td>ORIGINAL</td> <td>EDITION</td> <td>SIZE</td> <td>SCALE</td> </tr> <tr> <td><input checked="" type="checkbox"/></td> <td>SS</td> <td>FA</td> <td>A4</td> <td>1/100</td> </tr> <tr> <td><input checked="" type="checkbox"/></td> <td>FA</td> <td>ST</td> <td></td> <td></td> </tr> <tr> <td><input checked="" type="checkbox"/></td> <td>ST</td> <td></td> <td></td> <td></td> </tr> </table>	DESIGNED	ORIGINAL	EDITION	SIZE	SCALE	<input checked="" type="checkbox"/>	SS	FA	A4	1/100	<input checked="" type="checkbox"/>	FA	ST			<input checked="" type="checkbox"/>	ST			
STATUS	FOR INFORMATION	FOR REVIEW	FOR APPROVAL	FOR RFO/DESIGN																											
	<input type="checkbox"/>	<input type="checkbox"/>	<input type="checkbox"/>	<input checked="" type="checkbox"/>																											
DESIGNED	ORIGINAL	EDITION	SIZE	SCALE																											
<input checked="" type="checkbox"/>	SS	FA	A4	1/100																											
<input checked="" type="checkbox"/>	FA	ST																													
<input checked="" type="checkbox"/>	ST																														
DRAWING NUMBER/DATE: 3716/1		SHEET: 1 OF 1 DRAWING NAME: Combined Unit, ISTEС Type ESW Pedestal Type With Platform																													